

## TRIPLE-R 28



The Triple-R light bar range brings motorsport and world rally performance to the off-road market. At 51", the Triple-R 28 is our biggest and most powerful LED lighting system which when used for night-time and low-light off-road driving and recreation, delivers an unrivalled level of long-range illumination surpassing all others. Tuned for a spot beam pattern, while still achieving a decent spread of light in the mid-long range, the Triple-R 28 comprises 28 high power LEDs producing 28,700 lumens at only 315 watts. The lamp delivers 1 lux at a staggering distance of 1273m.



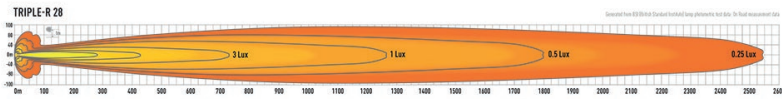
## ULTRA LONG-RANGE LED DRIVING LAMPS

# TRIPLE-R

## TRIPLE-R 28



- Ultra long range optics
- High output LED's from world leader in LED technology
- Dynamic Drive Modulation optimises light output at all times considering thermal conditions of the lamp
- 'Unbreakable' polycarbonate lens
- Supplied with vehicle wiring kit (8216-12V-SW) and both Side Brackets (1118K) and sliding Centre Mounts (1114K)
- Designed & manufactured in Britain



### TECHNICAL SPECIFICATIONS

|                        |             |
|------------------------|-------------|
| E-MARK REF             | N/A         |
| VOLTAGE RANGE          | 9V - 32V    |
| RAW LUMENS             | 28700       |
| BEAM PATTERN           | Spot        |
| OPTICAL EFFICIENCY     | 92%         |
| BEAM DISTANCE (0.25LX) | 2546m       |
| # HIGH POWER LEDs      | 28          |
| POWER CONSUMPTION      | 315 Watts   |
| CURRENT DRAW†          | 21.9 Amps   |
| LED LIFE               | 50,000 Hrs* |
| WEIGHT                 | 3900g       |

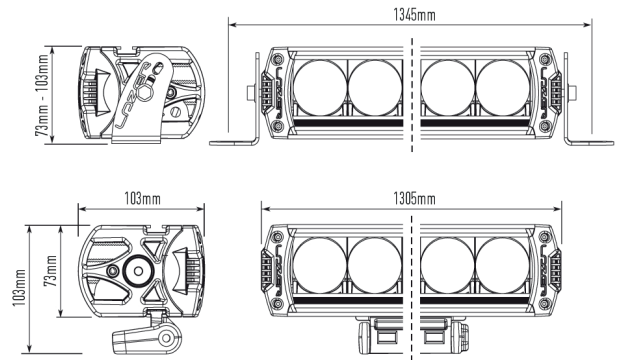


\* LED Manufacturers Specifications †At 14.4 Volts

### MOUNTING OPTIONS:



(Side Bracket kit sold separately)



#### LAZER LAMPS LTD

Units 1+2, Harlow Mill Business Centre, Riverway, Harlow, Essex. CM20 2FD. UK

Tel: +44(0)1992 677374

Email: sales@lazerlamps.com

www.lazerlamps.com

# LAZER

HIGH PERFORMANCE LIGHTING

