

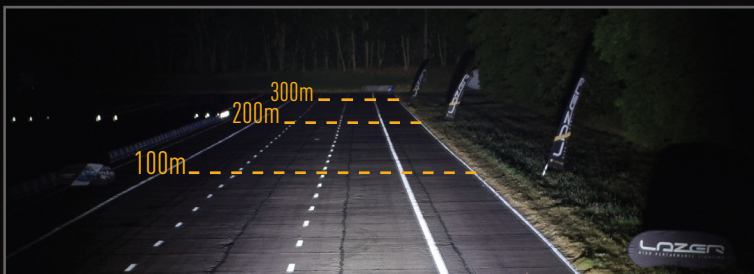
LAZER

HIGH PERFORMANCE LIGHTING

TRIPLE-R 1250 PLUS POSITION LIGHT



Measuring 590mm in length, the Triple-R 1250 'Highline' with Position Light is a fully ECE approved, LED spotlight that delivers both a styling upgrade that is guaranteed to turn heads, and high beam driving light performance that leaves nothing to the imagination. Close to the limit of the road-legal regulations, the light output has been carefully engineered around commercial vehicle applications, whereby a comparatively taller and wider spread of light means that the user benefits fully from an incredible 12,300 lumens while still falling within the allowable road-legal regulations.



HIGH PERFORMANCE LED DRIVING LAMPS



TRIPLE-R

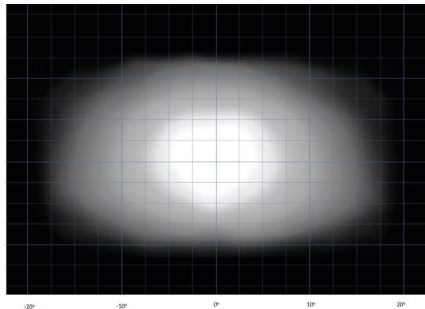
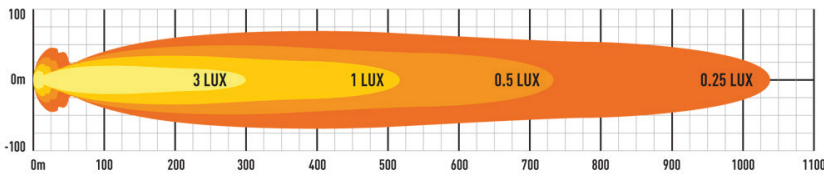
TRIPLE-R 1250 WITH POSITION LIGHT

- One of the most powerful road-legal driving lights available
- Ultra long-range optics
- Integrated position lights for added safety and improved styling
- High output LED's from world leader in LED technology
- 5,000 kelvin light temperature for maximum definition
- 'Unbreakable' polycarbonate lens (with lifetime guarantee)
- Made in Britain



TRIPLE-R 1250 HIGHLINE PL (WITH INTEGRATED POSITION LIGHT)

GENERATED FROM BSI LAMP PHOTOMETRIC TEST DATA: ON ROAD MEASUREMENT DATA



Horizontal: 30°
Vertical: 20°
(2% of peak)

TECHNICAL SPECIFICATIONS



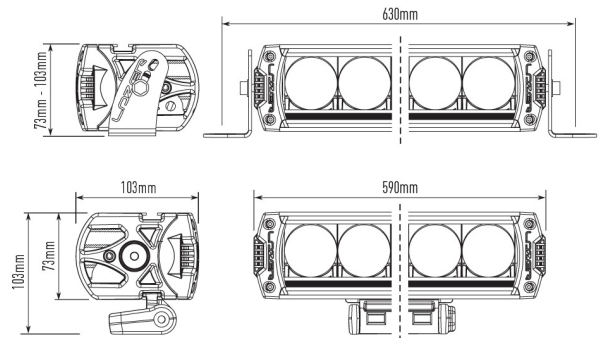
E-MARK REF	37.5
VOLTAGE RANGE	9V - 32V
RAW LUMENS	12,300
BEAM PATTERN	Highline/Wide
BEAM DISTANCE (0.25LX)	1035m
# HIGH POWER LEDS	12
POWER CONSUMPTION	135 Watts
CURRENT DRAW†	9.4 Amps
LED LIFE	50,000 Hrs*
WEIGHT	1940g

* LED Manufacturers Specifications †At 14.4 Volts

MOUNTING OPTIONS:



(Side Bracket kit sold separately)



LAZER LAMPS LTD

Units 1+2, Harlow Mill Business Centre, Riverway, Harlow, Essex. CM20 2FD. UK

Tel: +44(0)1992 677374

Email: sales@lazerlamps.com

www.lazerlamps.com

LAZER

HIGH PERFORMANCE LIGHTING

